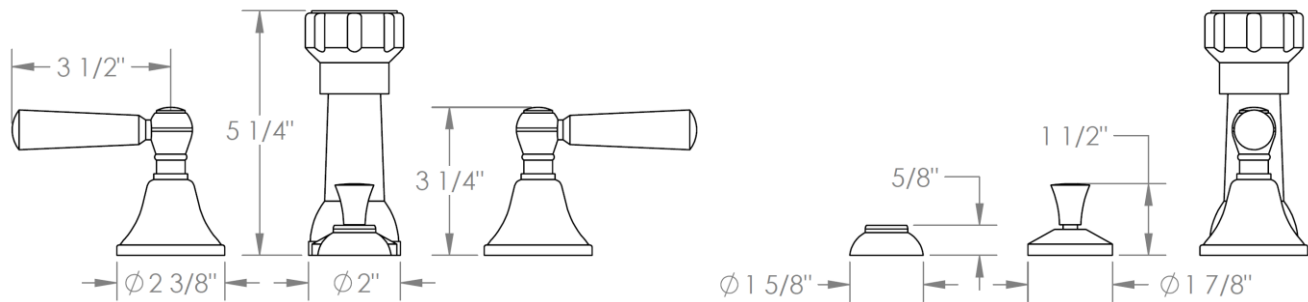


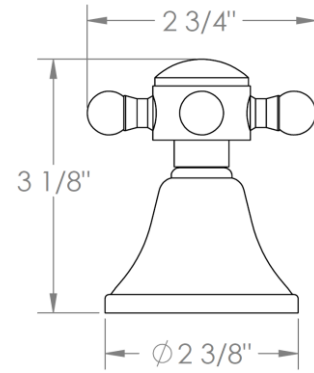
**313-4-\_\_**  
**Deck Mounted 4-Hole Bidet**  
**Includes MPU7 pop-up drain**



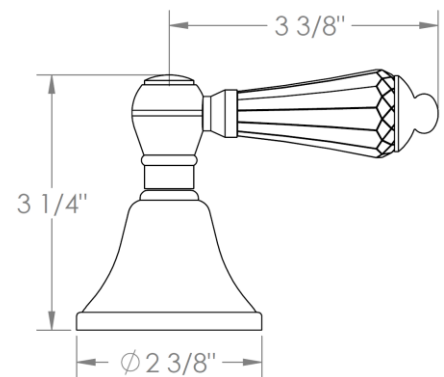
Meets the applicable requirements of ASME A112.18.1-2005/CSA B125.1-05, entitled "Plumbing Supply Fittings"

## HANDLE TRIM OPTIONS

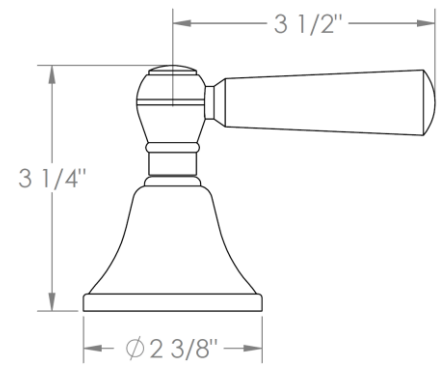
AX – LOS ANGELES



SW – SAN FRANCISCO



WW – BOSTON



Y2 – WILLIAMS

