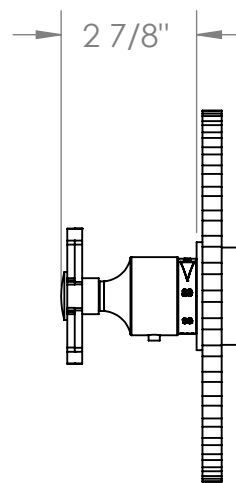
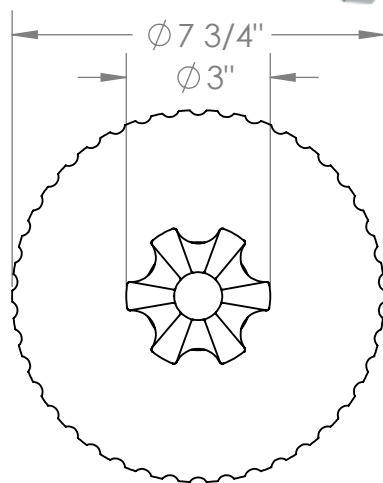
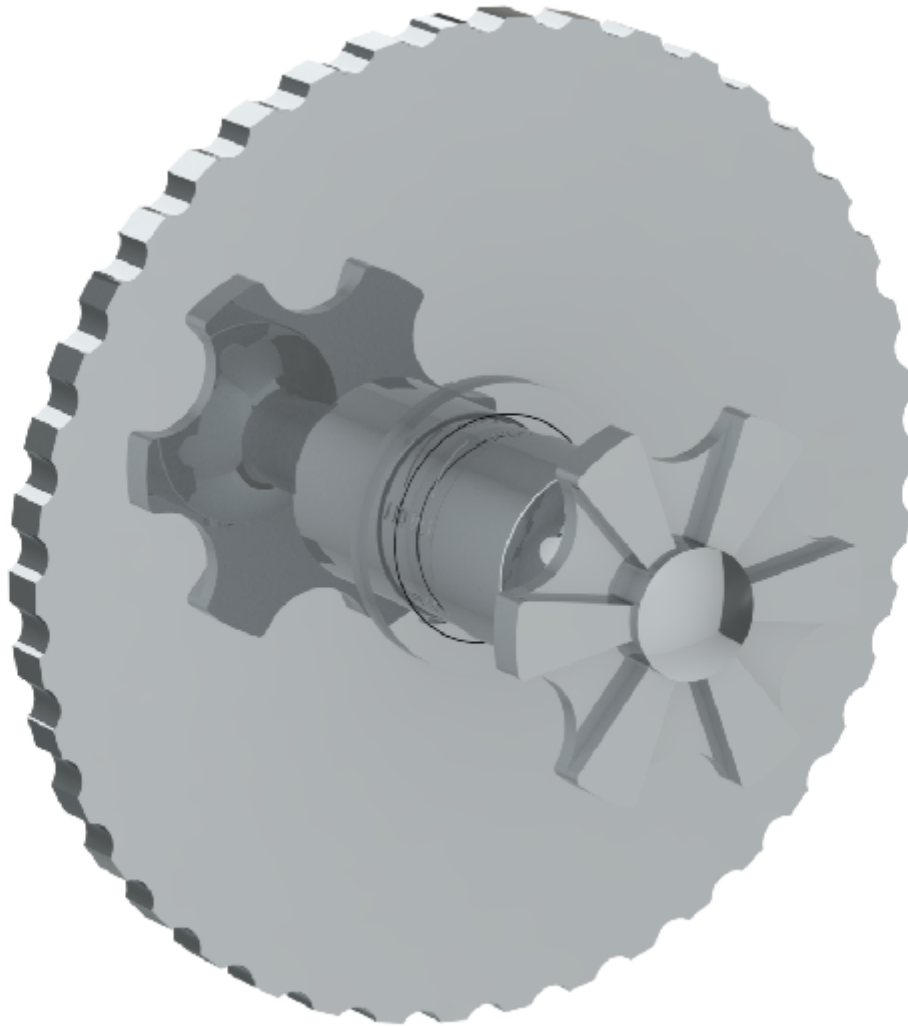


133-T10-JA6

Wall Mounted Thermostatic Shower Trim

For use with SS-TH1000 or SS-TH3000 concealed rough



Meets the applicable requirements of ASME A12.18.1-2005/CSA B125.1-05, entitled "Plumbing Supply Fittings"