

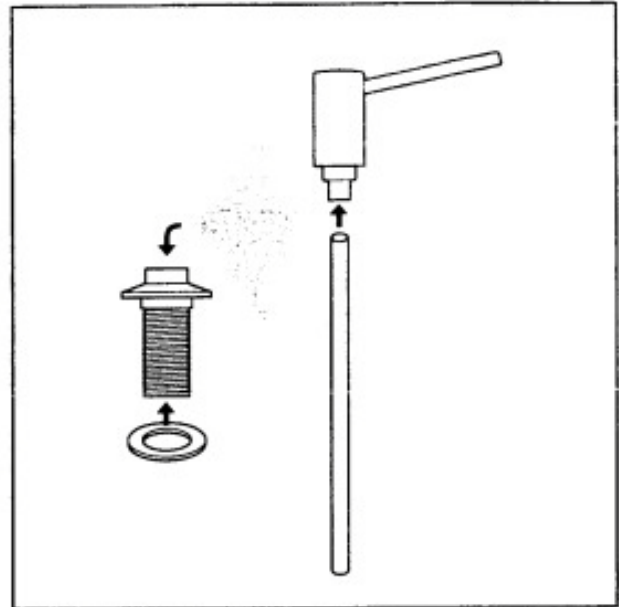
# WATERMARK

## PREPARATION

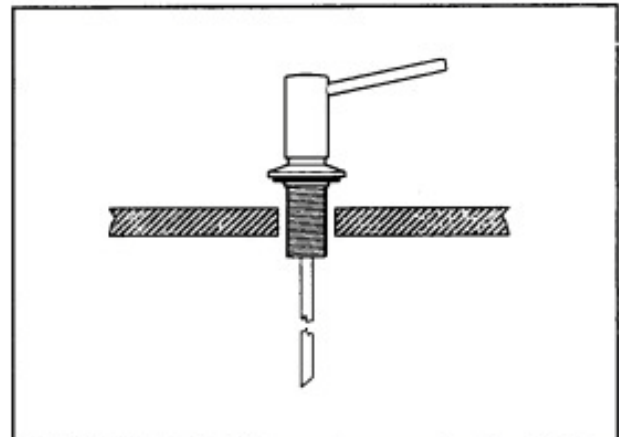
This soap dispenser is designed to mount into standard sink faucet hole (minimum diameter 1-1/8").

## INSTALLATION STEPS

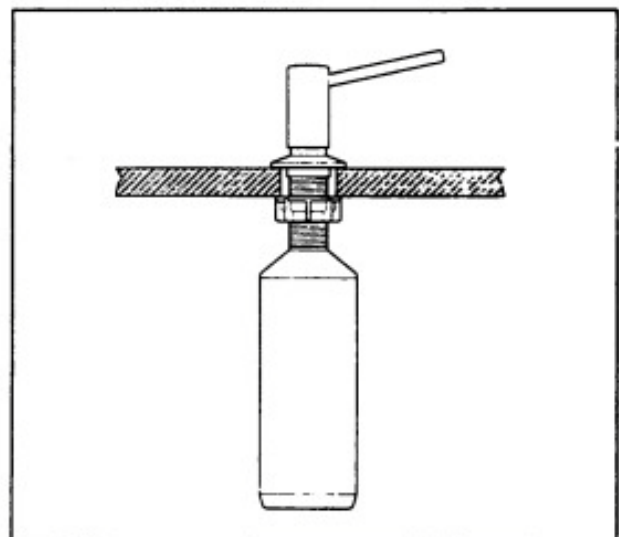
1. Remove dispenser components from carton and assemble top parts:
  - a. Press fill tube into bottom of plastic pump on plunger
  - b. Slip rubber gasket up onto black threaded shank of flange
  - c. Insert plunger assembly down into flange



2. Insert assembled top parts down through mounting hole in sink.

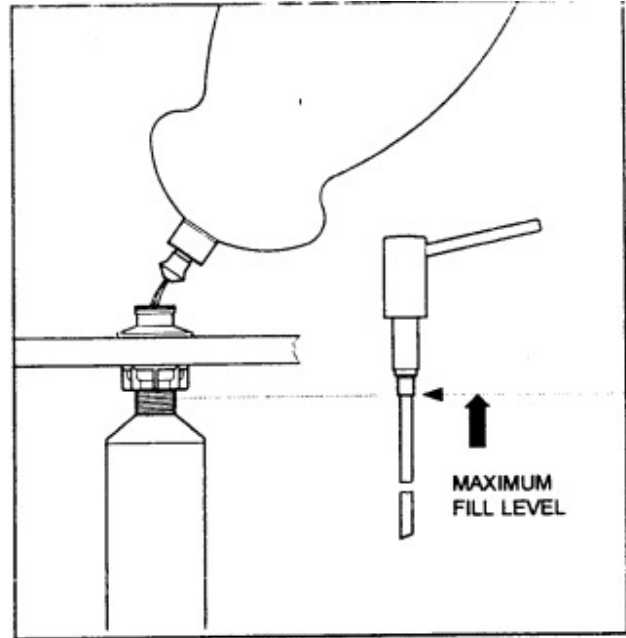


3. From underside, attach mounting nut to threaded shank and tighten firmly (hand-tighten only – no tools)
4. Attach bottle to end of threaded shank, tighten firmly



5. From top side, remove plunger assembly from flange and fill bottle with liquid soap (use joint between pump and dip tube as guide for maximum fill level)
6. Replace plunger assembly and operate dispenser

*Note: On initial use, several pumping cycles will be required to prime and discharge*



## Care & Maintenance

### Operation

This is the most clog-resistant dispenser available today. With normal frequency of use, it should not require servicing. Should there be a period of several weeks or more in which the dispenser is inactive, it is possible that the liquid may harden, preventing discharge. In such as case, submerge the entire plunger head (including pump) into hot water for about one hour. Then pump hot water through the plunger head to clear the obstruction.

With some liquid soap brands, it is recommended that 20% of the bottle be filled with water to dilute the soap and prevent it from hardening in the pump.

If any of the above procedures do not at first work, please repeat for an additional hour.

### Finish

Using a soft cloth, clean the surface of the dispenser with soap and water only – do not use any abrasive cleaners or pads. Dry with a cloth or paper towel.