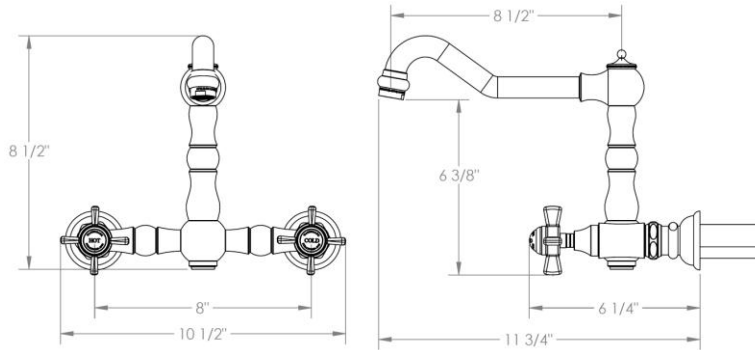


FEATURES

- ¼ turn washerless ceramic disc valve cartridges
- Flow rate 1.5 gpm (5.7 lpm) maximum flow rate
- Solid brass construction
- Warranty:
 - Limited lifetime warranty (residential use)
 - One year (commercial use)
- Shipping weight (lbs.) 10
- Shipping dimensions (in.): 29x12x4



| ITEM NO. | PART NUMBER | QTY. |
|----------|-------------------------|------|
| 1 | 206-7.7-SPT-BODY | 1 |
| 2 | SS-502-CARTRIDGE | 2 |
| 3 | S1-CRSS-HNDL | 2 |
| 4 | S1-CAP-RING | 2 |
| 5 | S1-CAP-ADAP | 2 |
| 6 | S1-PRCLN-INSRT-COLD/HOT | 1 |
| 7 | 321-5.2-DVRTR-CRT-3PCR | 4 |
| 8 | 206-7.6-ESC | 2 |
| 9 | 502-AERTR-SHLL | 1 |
| 10 | NEOPERL PCA PL STD | 1 |
| 11 | 206-7.7-ESC-BASE | 2 |
| 12 | 206-7.7-NPPLE | 2 |
| 13 | 206-7.7-GSKT | 2 |

IMPORTANT INSTALLATION INFORMATION

- USE TEFLON TAPE OR PIPE SEALANT FOR THREADED CONNECTIONS
- DO NOT USE PLUMBER'S PUTTY ON ANY OF THE BRASS COMPONENTS
This will cause the finish to tarnish and void the warranty. A non-corrosive Alkoxy Silicone is recommended.
- DURING SWEATING OF LINES DO NOT OVERHEAT CASTING
Overheating may cause damage to internal mechanism
- COPPER ADAPTORS MAY BE REQUIRED TO COMPLETE YOUR INSTALLATION

For technical support, please call 718-257-2800