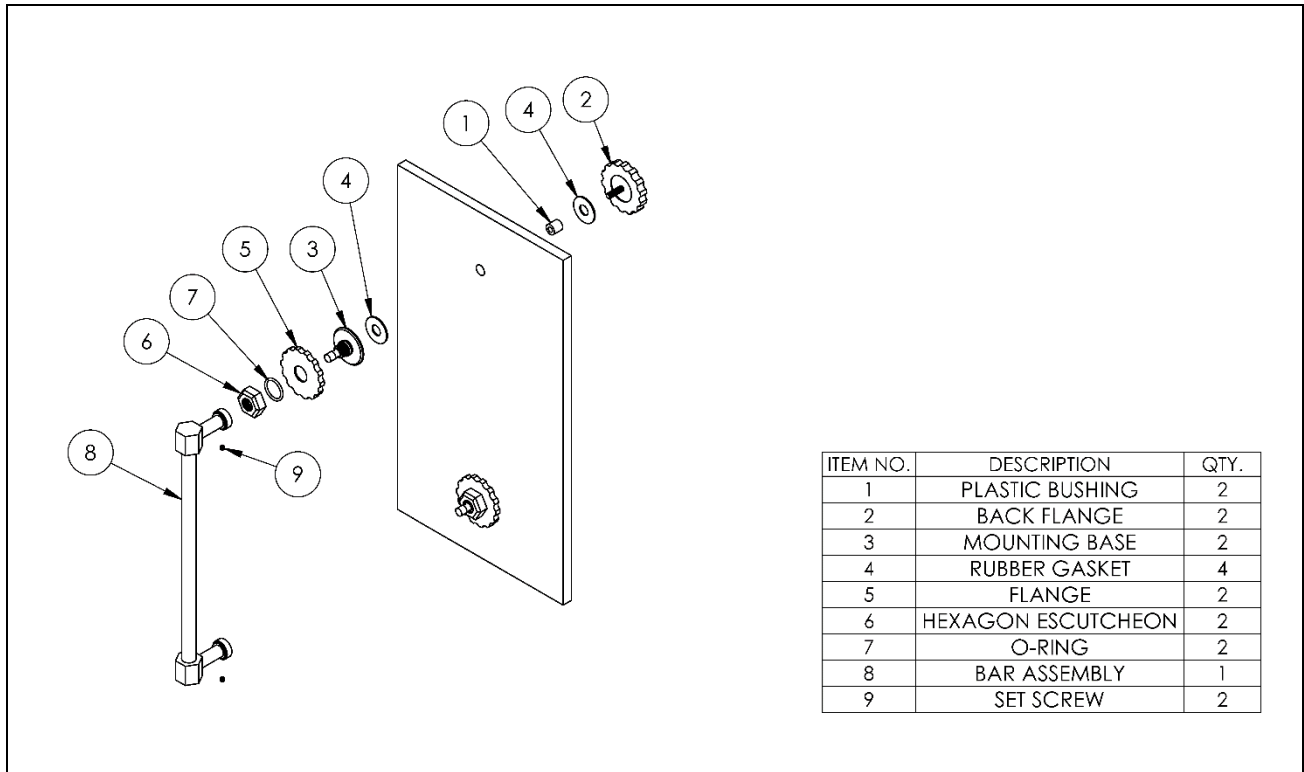
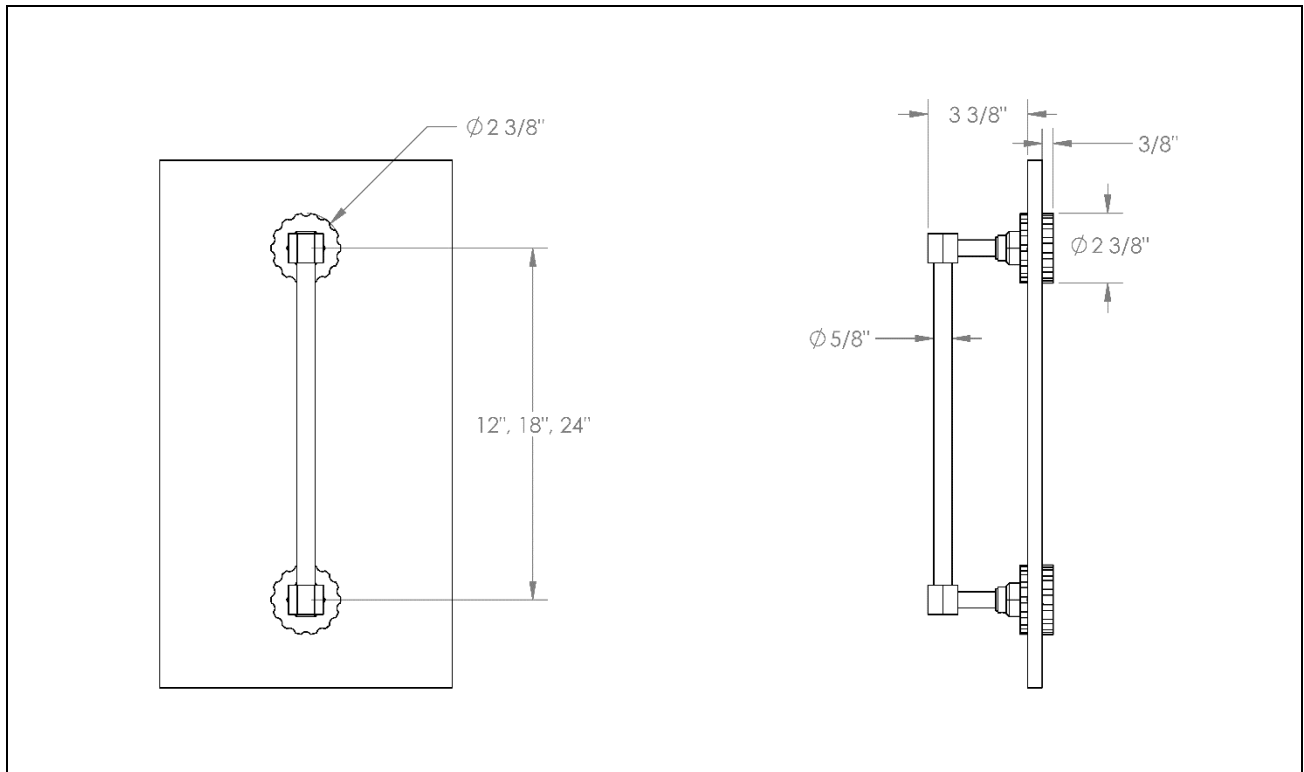


## Exploded View



## Dimensions



## Installation Instructions

1. Holes in the glass should be  $\varnothing 1/2"$ . Insert the **plastic bushings** (1) into each hole in the glass. Plastic bushings are designed for 1/2" thick glass and may be cut to accommodate thinner glass.
2. Thread the **back flanges** (3) into the **mounting bases** (2), making sure to compress a **rubber gasket** (4) on each side.
3. Slide the **flanges** (5) over the **mounting bases** (2). Secure by threading the **hexagon escutcheons** (6) onto the **mounting bases** (2). Make sure **O-rings** (7) are compressed.
4. Slide the **bar assembly** (8) over the shafts of the **mounting bases** (2) and tighten the two **set screws** (9).

### IMPORTANT INSTALLATION INFORMATION

- Bar may be field cut.
- Install only on tempered glass.
- Refer to maintenance guide for finish care instructions.

**For technical support, please call 718-257-2800**