



# Medley™

Deck-mount bath faucet trim  
T29365-4

## Features

- Two lever handles offer separate control of hot and cold water.
- 7-1/8" (181 mm) nondiverter spout.
- Coordinates with other products in the Medley collection.

## Material

- Premium material construction for durability and reliability.
- KOHLER finishes resist corrosion and tarnishing.

## Installation

- Deck-mount.
- Trim only; requires high-flow ceramic valves to complete installation (K-300-K, K-300-KR, or K-301-K).

## Required Products/Accessories

K-300-K High Flow Bath Valve

or

K-300-KR High Flow Valve w/ Rigid Connections

or

K-301-K ¾" High-Flow Bath Valve

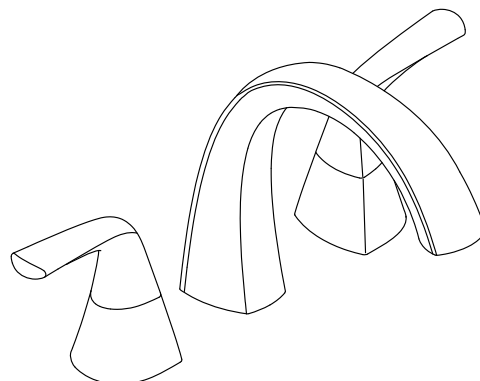
## Recommended Products/Accessories

K-23723 Faucet cleaner

## Optional Products/Accessories

1032704 Deep Rough-In Kit

1032705 Deep Rough-In Kit



ADA

CSA B651

OBC

## Codes/Standards

ASME A112.18.1/CSA B125.1

ADA

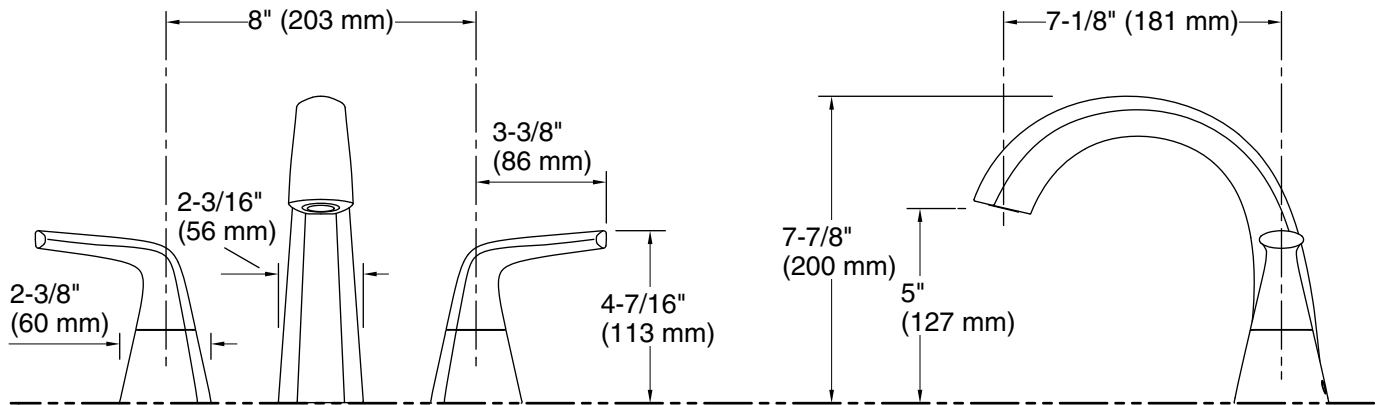
ICC/ANSI A117.1

CSA B651

OBC

## STERLING® Faucet Lifetime Limited Warranty

See website for detailed warranty information.



### Technical Information

All product dimensions are nominal.

Valve body: Machined-brass

Drain included: No

### Spout:

Spout reach: 7-1/8" (182 mm)

### Notes

Install this product according to the installation instructions.

ADA, OBC, CSA B651 compliant when installed to the specific requirements of these regulations.