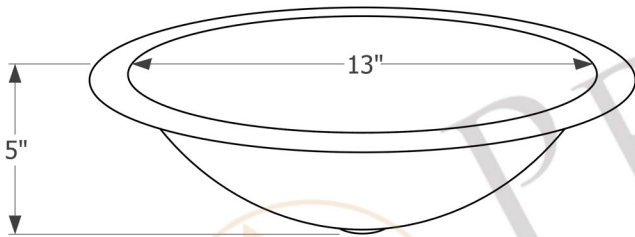
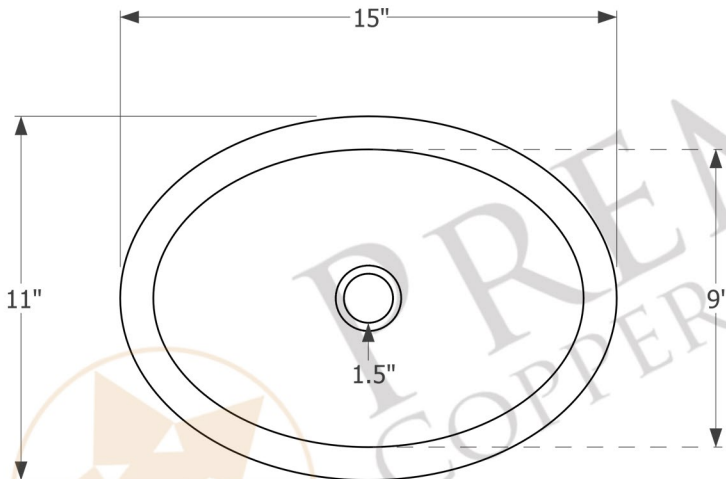




PREMIER  
COPPER PRODUCTS

## MODEL NUMBER: L015FDB

- \* Description: 15" Oval Under Counter Hammered Copper Sink
- \* Outer Dimension: 15" x 11" x 5"
- \* Inner Dimension: 13" x 9" x 5"
- \* Rim: 1"
- \* Drain Opening: 1.5"
- \* Finish: Oil Rubbed Bronze



THIS PRODUCT IS HAND CRAFTED, SMALL VARIANCES IN COLOR AND SIZE MAY OCCUR.  
DO NOT MAKE ANY INSTALLATION CUTS UNTIL YOU RECEIVE YOUR ITEM(S).