

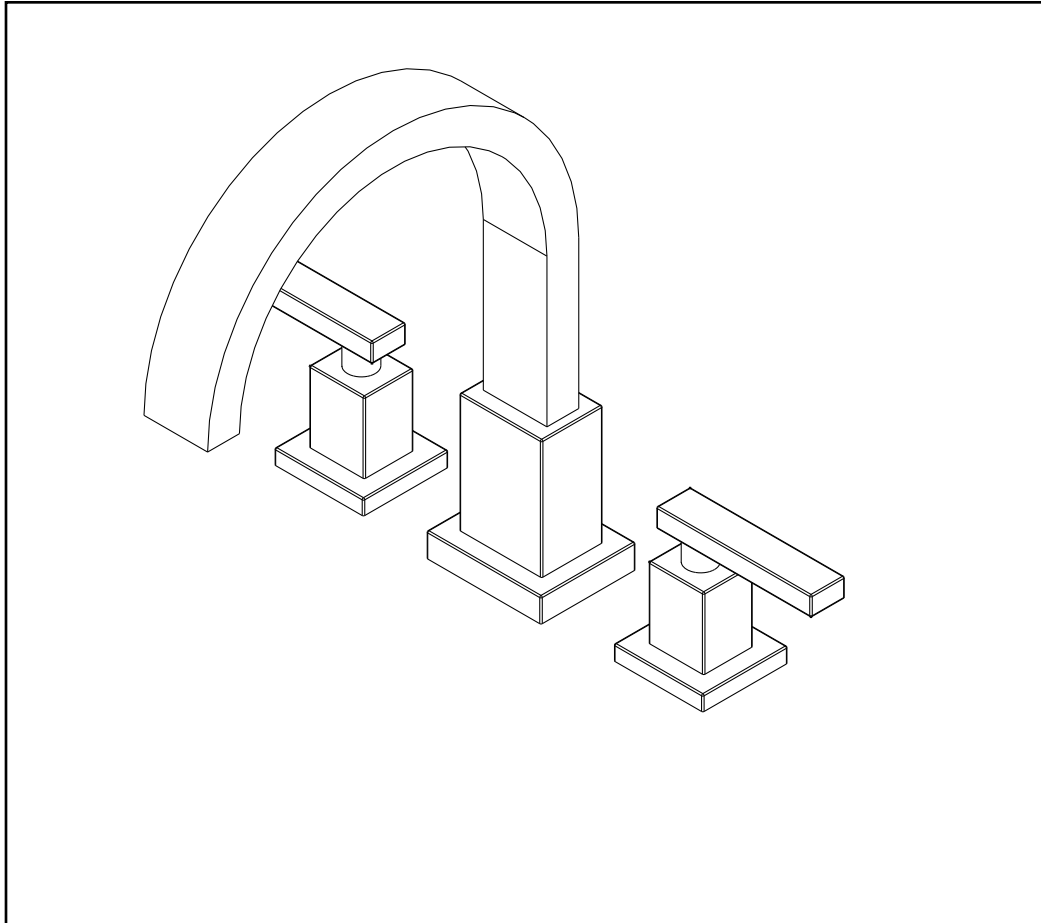
NEWPORT BRASS.

Flawless Beauty. From Faucet to Finish.™

## INSTALLATION INSTRUCTIONS ROMAN TUB 2 VALVE AND TRIM

Valve Model No's: 1-665

Trim Kit for Model No's: 2046



***Congratulations on the purchase  
of this Newport Brass product,  
an excellent choice, that will give you  
years of quality service and enhance  
the look and style of your home.***

## Rough in valve Installation

### Recommended Installation by a Professional Plumbing Contractor

Note: Use plumbers tape or equivalent to seal all threaded joints. Minimum deck thickness 5/8".

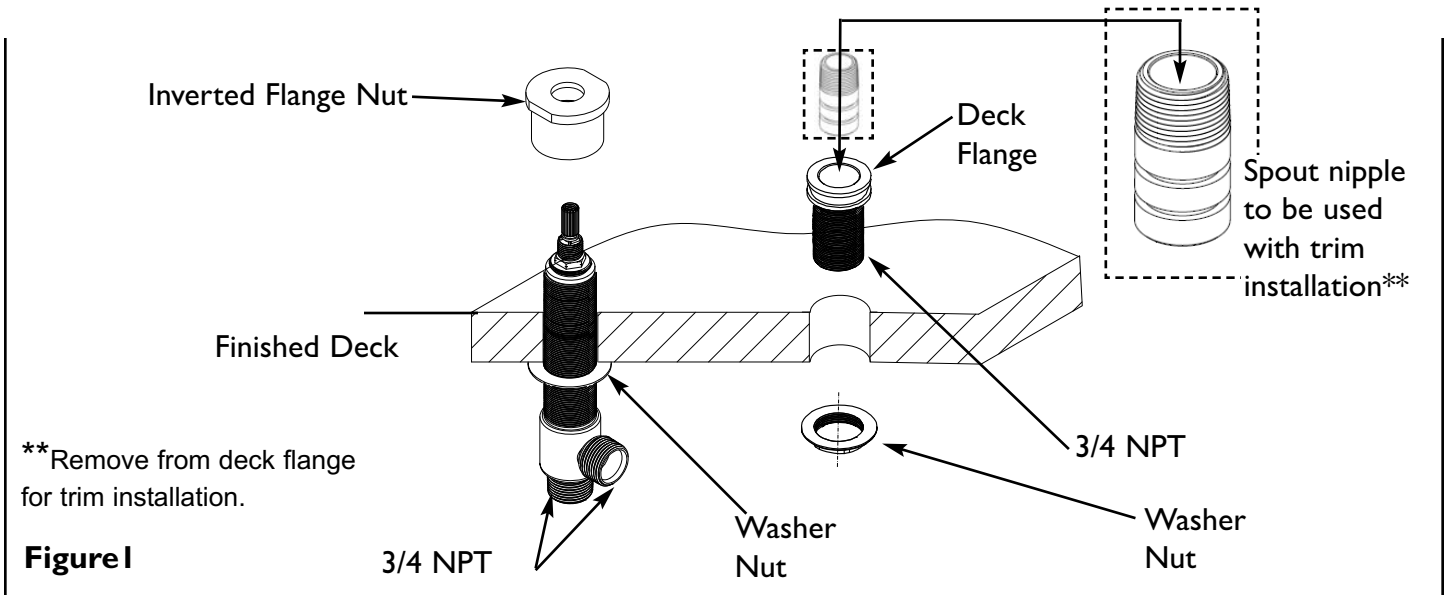
Recommended deck hole  $\varnothing$  1.38.

Warning: To prevent severe damage to valve body, any solder/braze process must be performed a min. of 4" from ports.

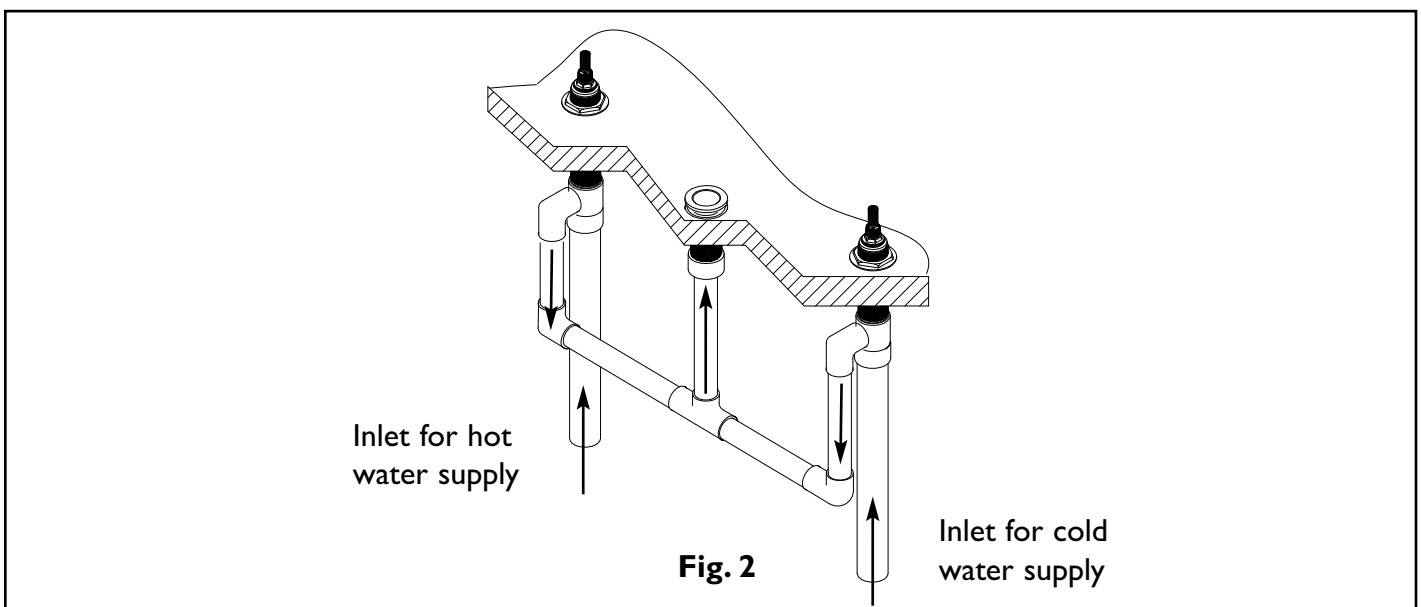
1. Install the Spout quick connect Deck Flange through center hole of mounting surface. Secure with washer nut. See Fig. 1

Note: Spout Nipple is installed in the Deck Flange for safe keeping until the trim is to be installed.

2. Place washer nut on valve body. Insert body, (blue cold & red hot), through hole from below mounting surface. Thread Inverted Flange Nut onto top portion of valve until it bottoms out. This will ensure the correct stem height from mounting surface. Secure into place by tightening lower washer nut. See Figure 1.



3. Attach hot/cold valves to spout, utilizing 3/4" copper pipe. See Fig. 2

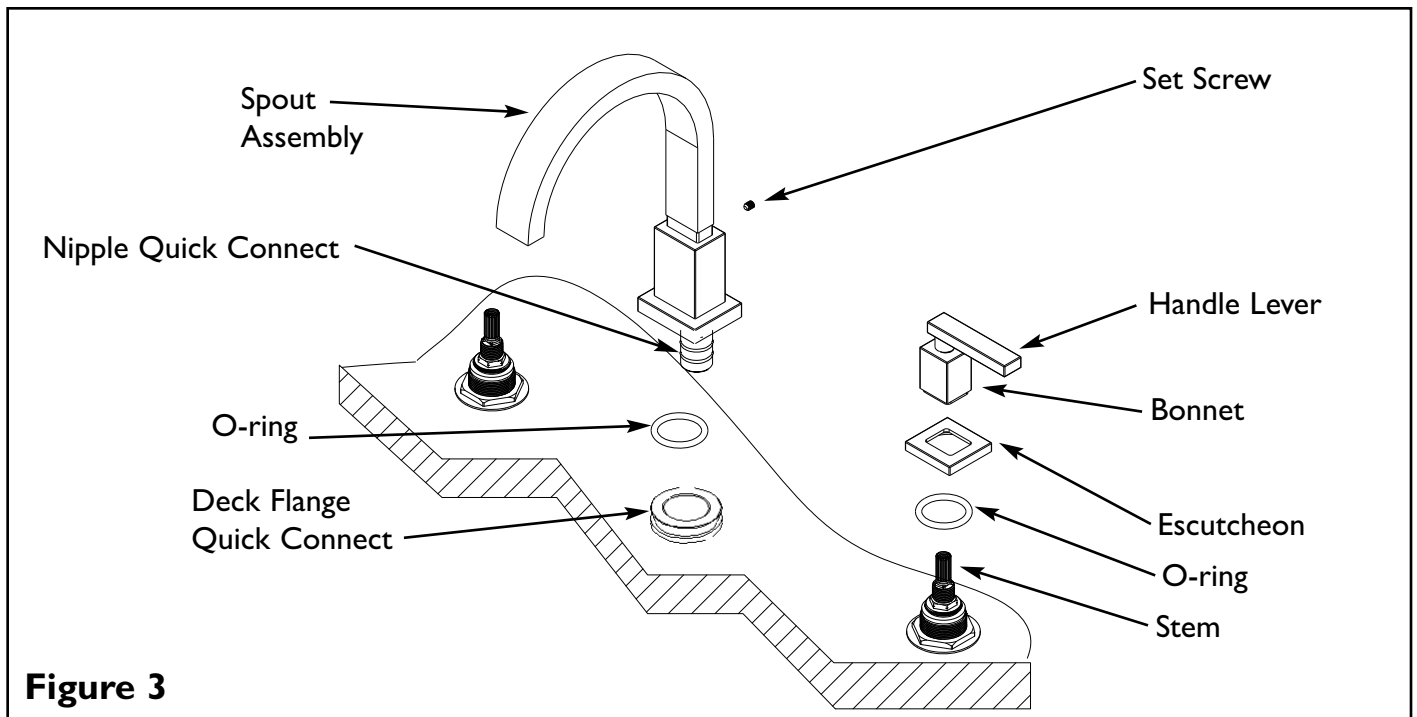


## Trim Installation

Note: To achieve desired handle rotational alignment, the cartridge **MUST** be tightened in a clockwise rotation only.

(Cartridge Bonnet factory torque is 14-16 ft-lbs.)

4. Place O-RING and ESCUTCHEON over VALVE STEM. Secure handle assembly into place by first engaging the VALVE STEM, then position and holding the handle LEVER while rotating the BONNET and ESCUTCHEON. Any adjustments for rotational alignment must be made to the valve body, not to the cartridge. See Fig. 3
5. Align and press spout assembly onto quick connect deck flange. Make sure spout is flush with deck. Secure spout onto quick connect with setscrew. See Fig. 3
6. Turn on water supply, check for leaks and make any final adjustments required.



**Figure 3**