

# Wall Mount Universal Flush Valve Elongated, Two-Piece Toilet Bowl



**MAINLINE®**

## Product Specifications

### Features

- Grade A Vitreous China
- 1.28 GPF (4.86 LPF) High Efficiency or 1.6 GpF (6.08 LPF) Standard Bowl
- 1.28 GpF (4.86 LFP) High Efficiency contributes toward LEED
- WaterSense Compliant when used with 1.28 GpF flush valve
- Elongated Bowl
- 2" Fully Glazed Trapway
- Siphon Jet Flush Action
- ADA Compliant
- Water Surface 10-1/4" x 8-5/8"
- Flush Valve not included
- Mainline Toilet Seat Sold Separately



### Certifications

- IAPMO cUPC
- ASME A112.19.2
- ADA ANSI A117.1
- LEED Certified
- 1000g MaP Rating

**MLS10409**



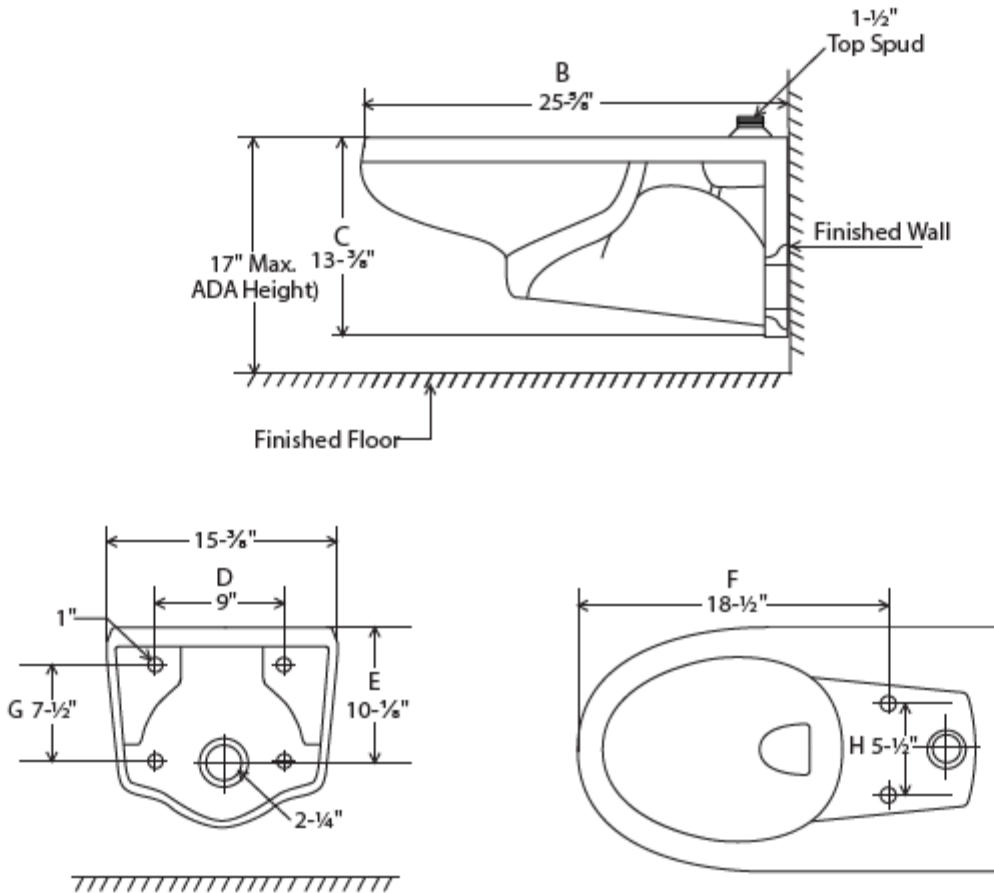
All dimensions listed are nominal. Mainline® reserves the right to make product and material changes at any time without notice.

**Contact your sales representative for more information or visit our website at [mainlinecollection.com](http://mainlinecollection.com)**

Revised 8/9/2021

# Wall Mount Universal Flush Valve Elongated, Two-Piece Toilet Bowl

Product Specifications



Shipping: 3.81 cube / 50.20 lbs (GW)

Part No.	Part No.	A	B	C	D	E	F	G	H
	MLS10409	15-3/8"	25-5/8"	13-3/8"	9"	10-1/8"	18-1/2"	7-1/2"	5-1/2"

All dimensions listed are nominal. Mainline® reserves the right to make product and material changes at any time without notice.



Contact your sales representative for more information or visit our website at [mainlinecollection.com](http://mainlinecollection.com)

Revised 8/9/2021