

Features

- 36-inch minimum base cabinet width.
- Single bowl.
- 9-inch depth.
- No faucet holes.
- Rear drain increases workspace in the sink and allows for more storage space underneath the sink.
- SilentShield® sound-absorption technology offers quieter performance.
- Includes a sink bridge utility shelf with dishcloth bar and a bottom sink rack.
- Includes installation hardware.
- Rounded 10mm corners are easy to clean.

Material

- Handcrafted from 16-gauge stainless steel.

Installation

- Under-mount

Recommended Products/Accessories

- K-6644 Sink Rack
- K-6377 Sponge Caddy
- K-6378 Kitchen Brush Caddy
- K-6379 Kitchen Squeegee
- K-6382 Disinfecting Wipes Dispenser
- K-6383 Soap Dispenser
- K-8618 Paper Towel Holder
- K-8619 Flexible Kitchen Mat
- K-8801 Sink Strainer
- K-8799 Sink Strainer
- K-8624 Dish Scraper

Optional Products/Accessories

- K-6667 Wood Cutting Board

Included Components

Additional Components:

- Bottom bowl rack
- Cut-out template
- Hardware kit(s) (Qty 3)
- Sink bridge utility shelf with dish cloth bar

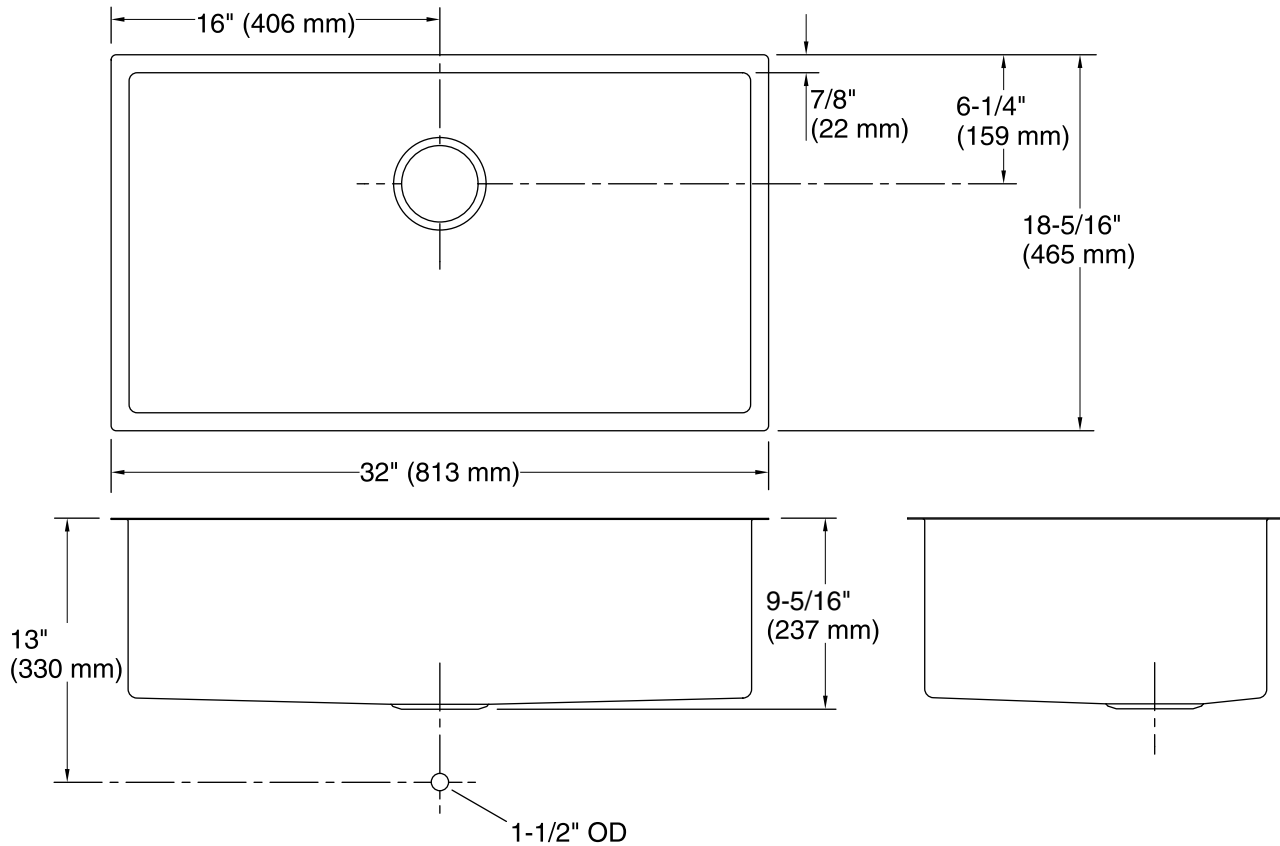


Codes/Standards

ASME A112.19.3/CSA B45.4

Lifetime Limited Warranty for KOHLER® Stainless Steel Sinks

See website for detailed warranty information.



Technical Information

All product dimensions are nominal.

Bowl configuration:	Single
Installation:	Under-mount
Min. base cabinet width:	36" (914 mm)
Bowl area:	Length: 30-1/4" (768 mm) Width: 16-9/16" (421 mm) Bowl depth: 9" (229 mm) Water depth: 9" (229 mm)
Drain hole:	3-3/4" (95 mm)
Template:	1207216-7, required, included

Notes

Install this product according to the installation instructions.