

Features

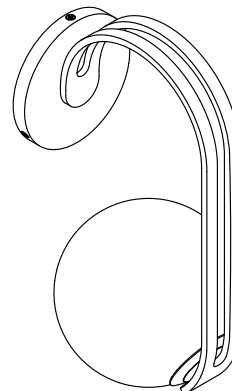
- Globular glass shades are gracefully suspended from curved metal bases in artist-inspired arrangements.
- A great piece for almost any space — master bathroom, guest bathroom, hallway, or bedside.
- Requires one bulb with G9 socket; G9 LED bulb recommended (sold separately).
- Suitable for damp locations, per UL 1598.

Material

- Manufactured with quality materials and complemented with a meticulous finishing process.
- Durable finishes engineered to last and designed to coordinate with KOHLER faucet finishes.

Installation

- Installation hardware included.

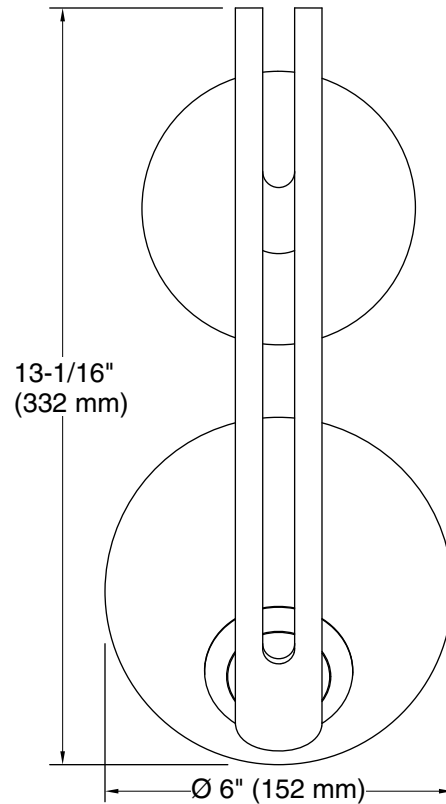
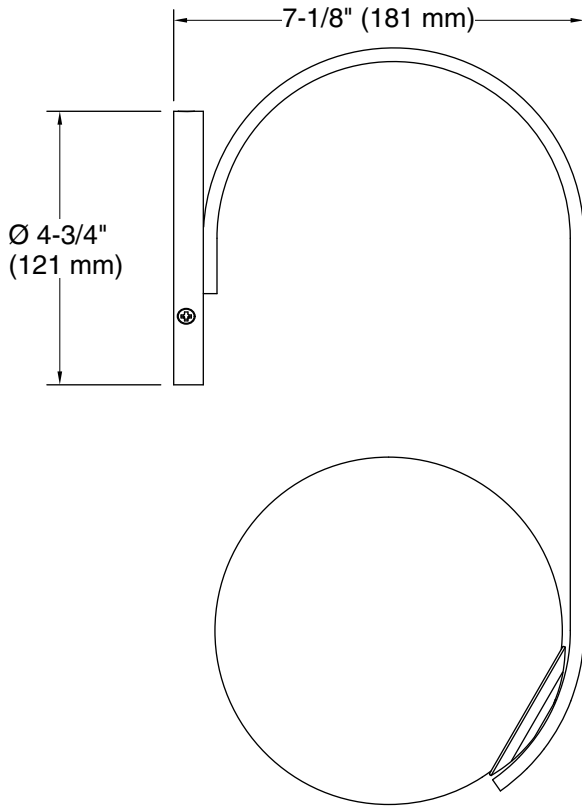


Codes/Standards

UL 1598
CSA C22.2 No. 250

KOHLER® Indoor Lighting Fixtures Limited Warranty

See website for detailed warranty information.



Required Electrical Service

One circuit required.

120 V, 60 Hz

Technical Information

All product dimensions are nominal.

Material: Steel, Aluminum, Glass

Number of Lights: 1

Lighting Type: Socket-based

Socket Type: 2 pin G9

Number of Shades: 1

Shade Type: Glass - frosted