

Features

- A perfect complement to our Components suite of products.
- Suitable for any living space, allowing you to create a cohesive design aesthetic throughout your home.
- Dimmable, integrated LED emits a beautiful light at the perfect color temperature.
- This piece is designed to be filled with distilled water or reverse osmosis (RO) water to reflect light throughout the room.
- Can be positioned up or down depending upon room setting.

Material

- Manufactured with quality materials and complimented with a meticulous finishing process.
- Durable finishes engineered to last and designed to match KOHLER faucet finishes.

Installation

- UL Damp Rated.

Included Components

Additional Components:
Installation hardware



Codes/Standards

California Energy Commission (CEC)
UL 1598
CSA C22.2 No. 250
CA Title 24 JA8

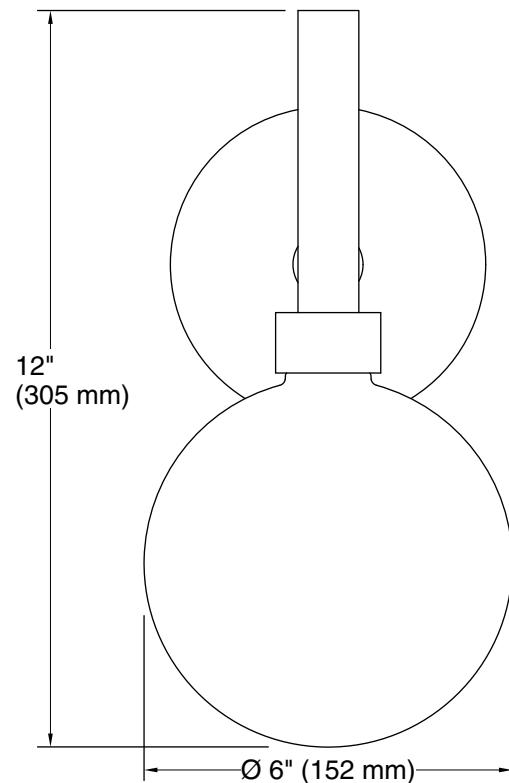
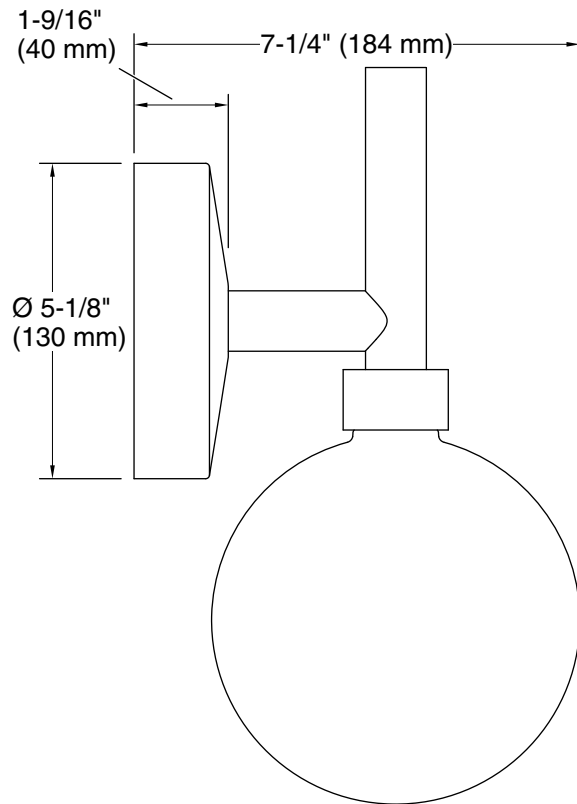
KOHLER® Lighting Limited Warranty

See website for detailed warranty information.

Available Colors/Finishes

Color tiles intended for reference only.

Color	Code	Description
	SNL	Polished Nickel
	BGL	Moderne Brushed Gold
	CPL	Polished Chrome
	BLL	Matte Black



Required Electrical Service

One circuit required.

Lights: 120 V, 60 Hz

Technical Information

All product dimensions are nominal.

Material: Steel, Aluminum, Glass

Lighting Type: Integrated LED

Number of Shades: 1

Shade Type: Glass - clear

Electrical component rating: LED: 60 Hz, 10 W, 450 Lumens, 3000K