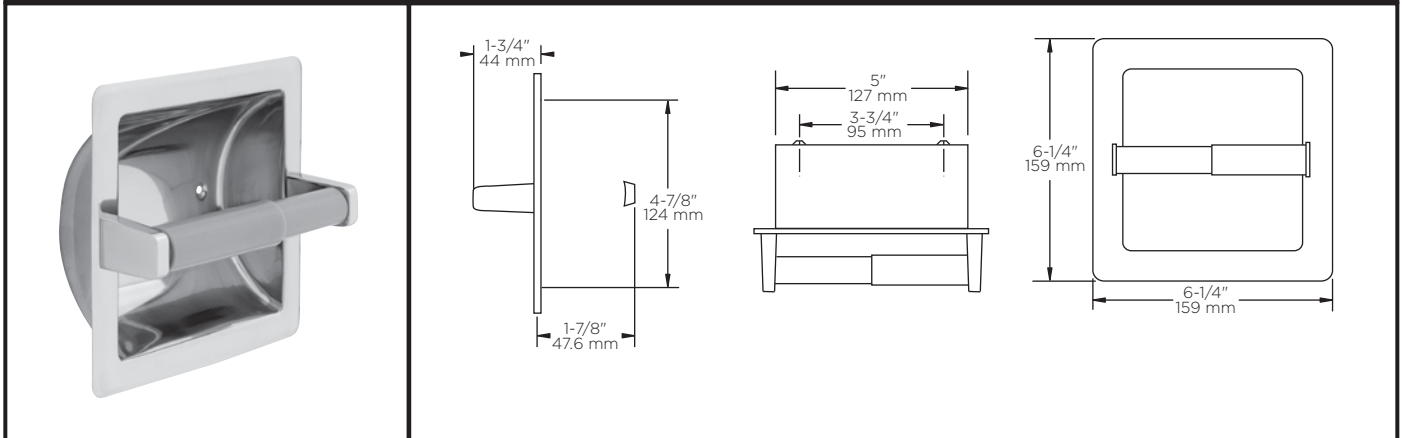


TECHNICAL DATA

Recessed Fixtures

RECESSED PAPER HOLDER 45070-ST & 45072



- MATERIALS:** Stainless steel recessed shells are stamped from 22 gauge corrosion resistant type 304 stainless steel and are polished or satin. Projecting posts are die cast from highest quality virgin zinc alloy (Zamak) to meet ASTM standard B-86. Die casts are highly polished and plated. Roller material as listed under each model number. All rollers are spring actuated.
- INSTALLATION:** Cut out wall opening 5-1/4" x 5-1/4" x 2" depth. If wood block available install recessed shelf into opening using 2 - #8 x 1-1/4" flat head nickel or brass plated steel screws provided. If wood blocking is not available use optional RP71072 recessed wall clamps.
- SPECIFICATION:** Recessed paper holder shall be model _____ (fill in model number) by Liberty Hardware Manufacturing Corporation.

